

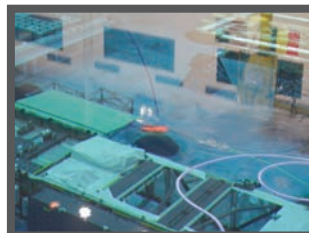
LBV150-4 MiniROV Systems

The SeaBotix LBV150-4 systems are entry-level MiniROVs with many professional-level specifications.



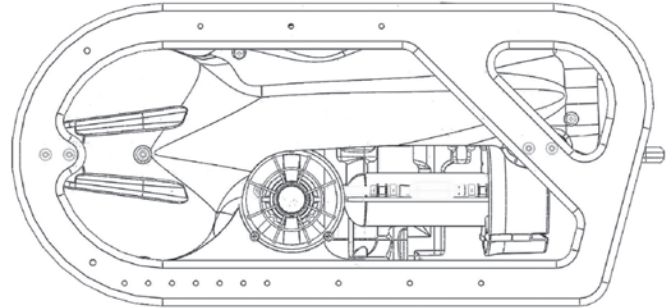
- 150 meter (500ft) depth rating and tether lengths to 250 meters (820ft)
- Powerful brushless DC thrusters with individual oil-compensators
- 4-axis maneuverability with intuitive hand controller
- Ultra small diameter high strength, durable, low drag tether
- Crystal clear video and high resolution low light color camera
- 270° range of view with high intensity LED array tracking camera
- Extensive range of options including laser scaling, grabber, zoom, reel, LED lighting and more

LBV150-4 MiniROV systems are ideal for operations in more shallow waters requiring a higher-level of capability and features than are typically found in base systems. Expect incredible performance with powerful brushless thrusters, 4-axis maneuverability, and our industry-leading low-drag tether. Each system is equipped with all of the necessary features to perform demanding tasks.



General

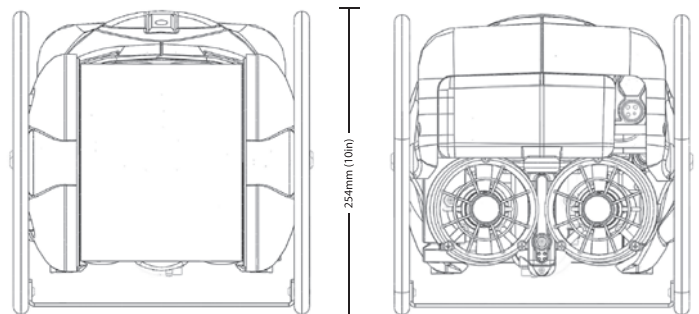
Depth Rating:	150m (500ft)
Length:	530mm (21in)
Width:	245mm (9.65in)
Height:	254mm (10in)
Diagonal:	353mm (13.9in)
Weight in air:	11kg (24.25lbs)



530mm (21in)

Thrusters/Performance

Configuration:	2 forward, 1 vertical, 1 lateral
Motor Type:	Brushless DC direct drive
Bollard Thrust:	4.9kgf (10lbf) each
Speed at Surface:	3 knots (1.54m/sec)
Max Operating Current:	2 knots (1.03m/sec)



254mm (10in)

245mm (9.65in)

Cameras/Lighting

Camera:	520 line High resolution color
Range of View:	270 Degrees
Focus:	Manual (90mm to infinity)
Format:	NTSC or PAL
Lighting:	Internal 700 Lumen LED array Tracks color camera

Control System

Configuration:	Rugged case with weatherproof monitor and removable operator control unit
Monitor:	38cm (15") LCD
Power Requirement:	1,000 watts, 100-130/200-240 VAC
Safety:	Isolated input, circuit breaker, LIM, leak monitor Meets & exceeds AODC 035 "Code of Practice for the Safe use of Electricity in Water"
Auto Functions:	Depth, heading, trim
Video Overlay:	Depth, heading, lights, thruster gain, turns counter, camera angle, time, date and user programmable characters

Tether

Diameter:	8mm (0.3in) nominal
Length:	100m (324ft) standard
Working Load:	100kgf (220lbf)
Breaking Strength:	700kgf (1,543lbf)
Buoyancy:	Neutral in fresh, slightly positive in seawater

Options

Tether Lengths:	150-250m (500-820ft)
Grabber:	Three jaw, interlocking small, interlocking large, parallel and cutter
Tracking:	USBL positioning system
Lights:	Multiple head ultra bright LED
Other:	Laser scaling, zoom camera and more

